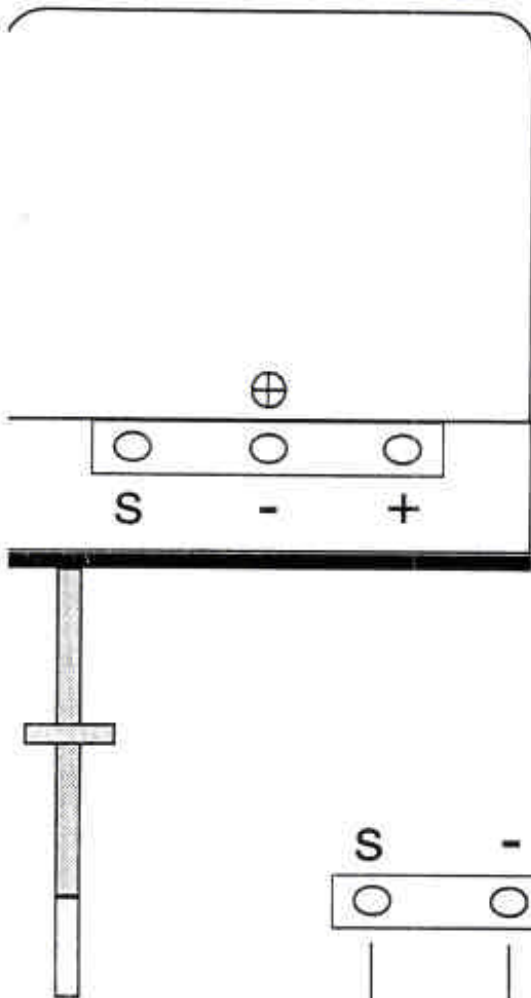


Wiper Motor kit, 12 volt Part# 12VST



S Terminal should be connected to wire from control switch. Other side of control switch goes to ground.

- Terminal should be connected to suitable ground on vehicle chassis or to battery's negative terminal.

+ Terminal should connect to original fused wiper motor wire, or fused battery positive wire.

