



Overhead Sound Bar Installation Instructions

Quality characteristics of the Mud & Shine Sound Bar System:
 M&S system's two 6 1/2" speakers handle 80 watts peak power each (or 160 watts total) vs. 50 watts peak power each (or 100 watts total).
 M&S's speakers are coaxial design. Meaning they use a separate woofer for bass response and a 2" tweeter for detailed highs vs. dual cone speakers, which have the low and high frequency speakers mounted together.
 M&S's speakers are made of water-resistant materials (the woofer is coated with a polyurethane material and the tweeter is constructed of Mylar) vs. paper cone speakers which can succumb to off-road moisture and humidity.
 M&S's speakers use a Butyl rubber surround (for increased cone excursion and longer life) vs. foam rubber surround, which will become brittle when exposed to the elements.
 M&S's speakers also use an ASV material, copper wound voice coil (that provides increased power handling) vs. the standard copper wound, paper voice coil.

Figure A.

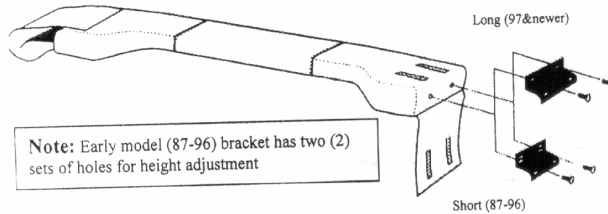
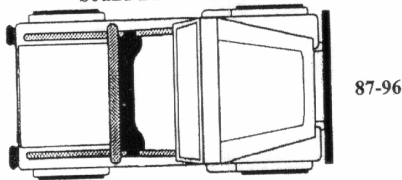
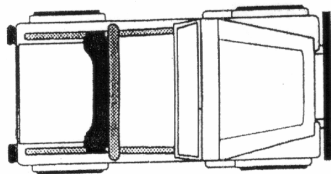


Figure B.
Sound Bar Location



87-96



97 & Newer

Required:

- Drill
- 3/16" Drill bit
- Phillips Head Screw Driver
- Wire strippers/crimpers
- Electrical terminals

Kit Includes:

- External wiring harness
- (4) 1/4"-20 x 5/8" screw
- (4) #12 x 3/4" sheet metal screw
- (4) 1/4" Flat washer
- (4) 1/4" Lock washer
- Long mounting brackets (for 97 & newer)
- Short mounting brackets (for 87-96)

Installation:

- 1) Attach the bracket for your year vehicle with the 1/4"-20 x 5/8" screws and lock washers to the sound bar as shown in Fig. A.
- 2) Locate the correct position for the Sound Bar on the vehicle as shown in Fig. 2.

For 87-96 vehicles:

Use the mounting bracket as a template to punch holes through the roll bar padding. Next, drill the 3/16" pilot holes in the roll bar.

NOTE: some model years have at least one existing hole in the roll bar that can be used to mount the sound bar. Be sure to check under the roll bar padding before drilling any holes.

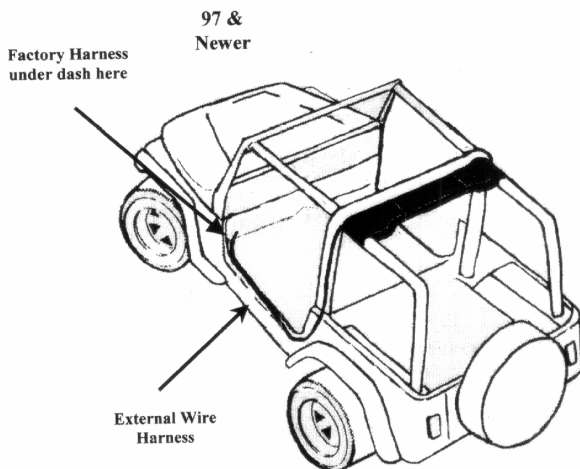
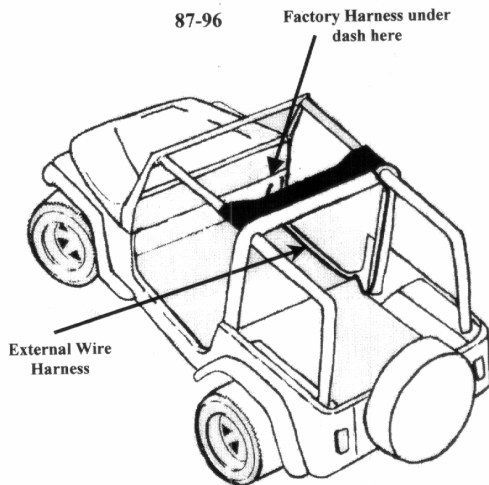
Use the #12 x 3/4" sheet metal screws and flat washers to attach the sound bar to the roll bar.

For 97 & new vehicles:

Locate the factory mounting holes in the roll bar. Punch holes through the roll bar padding and fasten the sound bar with the #12 x 3/4" screws and star washers.

OVER





3) Route Sound bar wire harness down the roll bar under the padding and along the floor under the carpet toward the dash.

4) Find the factory radio harness under the dash board and identify the left and right speaker wires as well as the dome light power and ground.

5) Splice in the external wire harness based on the following:

Sound bar

For 87-96 vehicles

Driver side speaker

Blue/white (+)
Blue (-)

Passenger side speaker

Brown/ white (+)
Brown (-)

Light

Red (+)
Black (-)

For 97 & newer vehicles

Driver side speaker

Brown/ white (+)
Brown (-)

Passenger side speaker

Blue/white (+)
Blue (-)

Light

Red (+)
Black (-)

Vehicle wire harness

Driver side speaker

Brown/yellow (+)
Brown/blue (-)

Passenger side speaker

Dark blue/white (+)
Dark blue (-)

Light

Pink (+)
Yellow (-)

NOTE: For pre-92 vehicles, splice the Sound Bar light into the under dash light wires on the passenger side of the vehicle.