

TJ Header Windshield Channel

Installation Instructions 1997 - 2005

Part Number : 13308.04

Do not install on any vehicle other than those listed above.

Parts List:

**1997 - 2005 TJ
Header Channel Parts
List.**

— (2) 1-1/4"
BOLT

— (2) 5/16"
WASHER

— (2) J-HOOK
BRACKET

— (1) HEADER



WARNING

This product is designed to enhance the look of the vehicle. Do not rely on the components of this product to contain passengers or cargo within the vehicle, or to protect against injury or death in an accident.

WEAR SEAT BELTS AT ALL TIMES.

Read and follow all installation instructions provided when installing this product. Failure to follow the supplied instructions could place driver and passengers in potential danger. After installing or reinstalling, double check with installation instructions to make sure all steps have been properly followed.

Installation

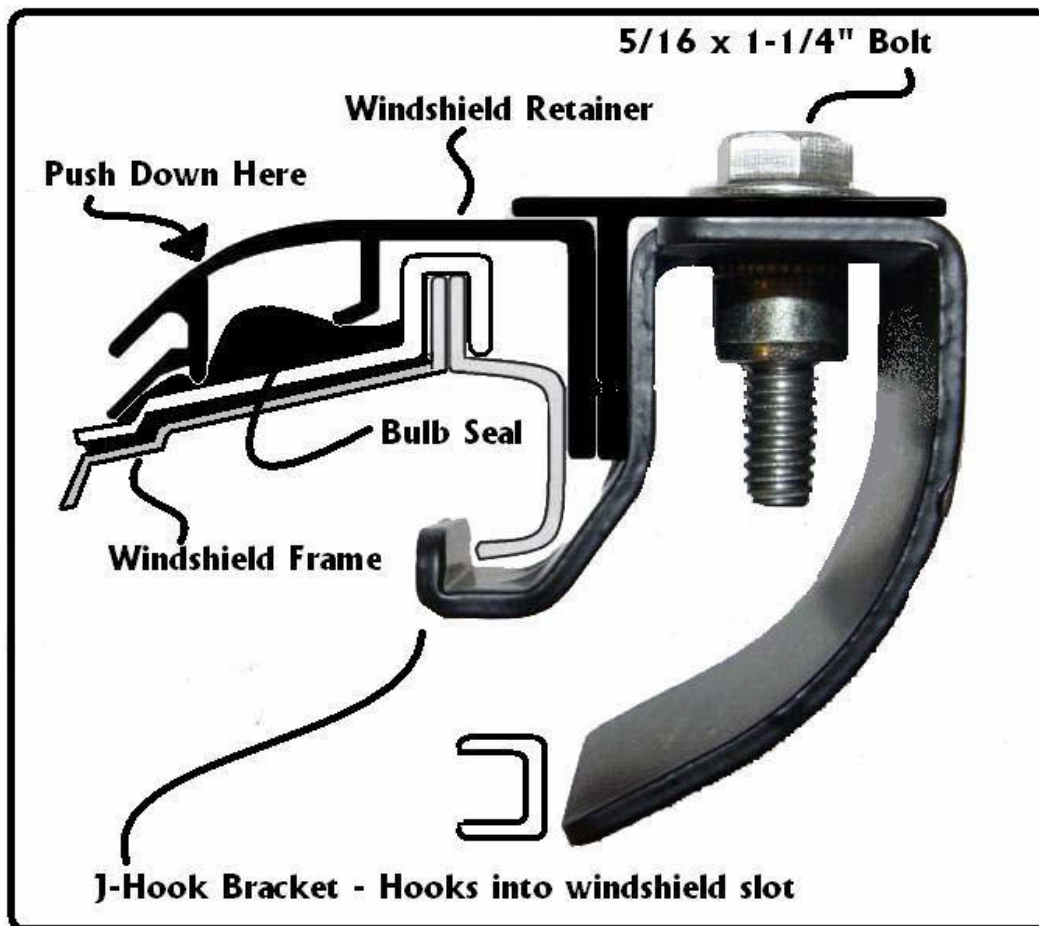
Part Number: 13308.04

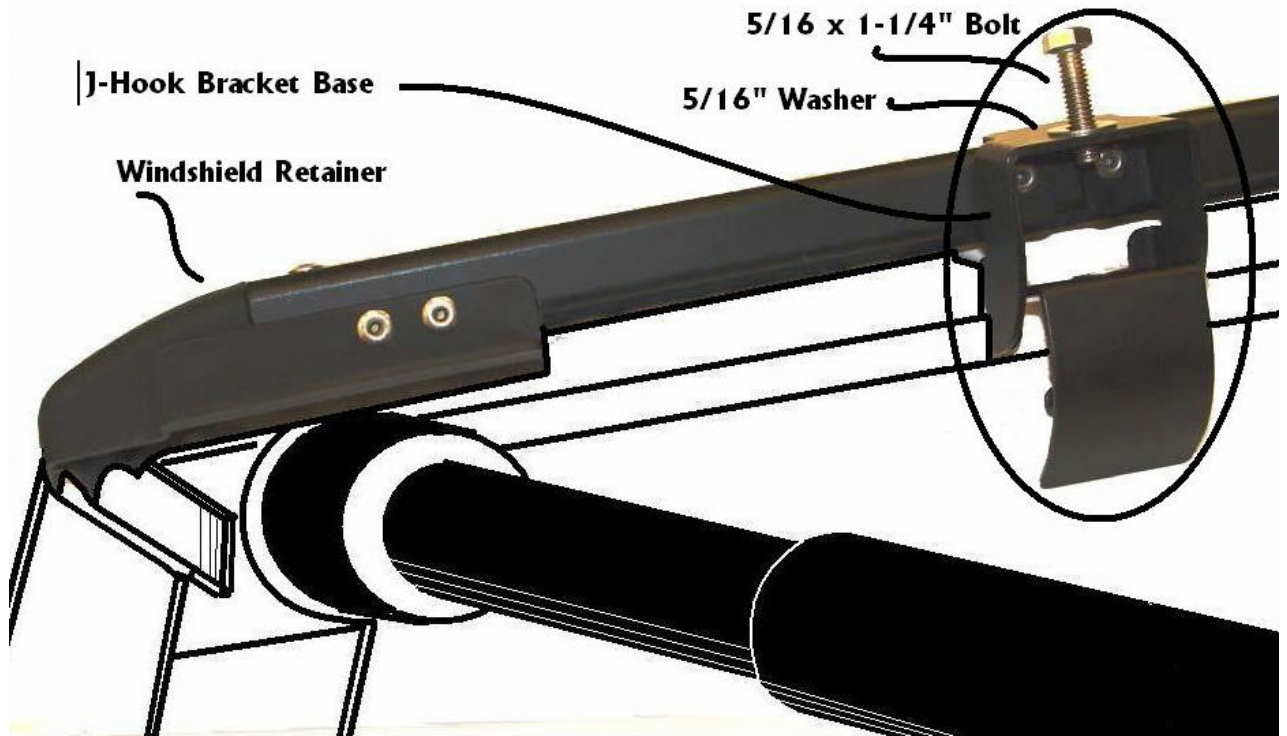
Tools Needed: 5/16" Wrench


STEP 1.

Install Windshield Retainer

Place the windshield retainer assembly on top of the bulb seal along the top of the windshield. Locate the two J-hook brackets. Orient brackets with the hook towards the front of the channel and thread inserts towards the top. Slide the bracket into the J-hook bracket base mounted to the windshield retainer. Make sure to catch the hook in the windshield slot. Insert a 5/16" x 1-1/4" bolt and 5/16" washer from the top into J-hook bracket to secure the bracket to the base. Do this for both sides.





	Caution
Safety glasses should be worn at all times while installing this product.	

Note: While installing the windshield retainer/ J-hook bracket assembly, apply **FIRM** pressure towards the front of the vehicle to make sure that the assembly is installed correctly. 10/01/05. Pg.3