









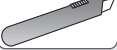

# Installation Instructions Sunrider®

## Vehicle Application


- Jeep TJ  
2003 – 2006  
Part Number: 51719

[www.Bestop.com](http://www.Bestop.com) - We're here to help! Visit our web site and click on ["Ask a Question"](#). Click here for more [Jeep Accessories by Bestop](#).

<b>INSTALLATION TIME</b>	<b>SKILL LEVEL</b>
	
<b>3 Hours</b>	<b>3 - Moderately Difficult</b>

TOOLS			
 Phillips Screwdriver #2	 Adjustable Wrench	 Pliers	 Torx Wrench T30
 Utility Knife	 Safety Glasses		




 **CAUTION** Safety glasses should be worn at all times while installing this product.

### Installation Tips

Before you begin installing this assembly, read all instructions thoroughly.

#### For a smooth fit:

For ease in installation, the product should be installed at temperatures above 72° F. Below this temperature, the fabric may contract an inch or more, making it difficult to fit to the vehicle. It is normal for fabric to contract and wrinkle when stored in the shipping carton. Within a few days after the installation, the fabric will relax and the wrinkles will disappear.

 **WARNING** This product is designed primarily to enhance the appearance of the vehicle and to shield the occupants from ordinary weather conditions. Do not rely in any way on the components of this product to contain occupants within the vehicle, or to protect against injury or death in the event of an accident. This product will not protect the occupants from falling objects. Never operate the vehicle in excess of manufacturer's specifications.

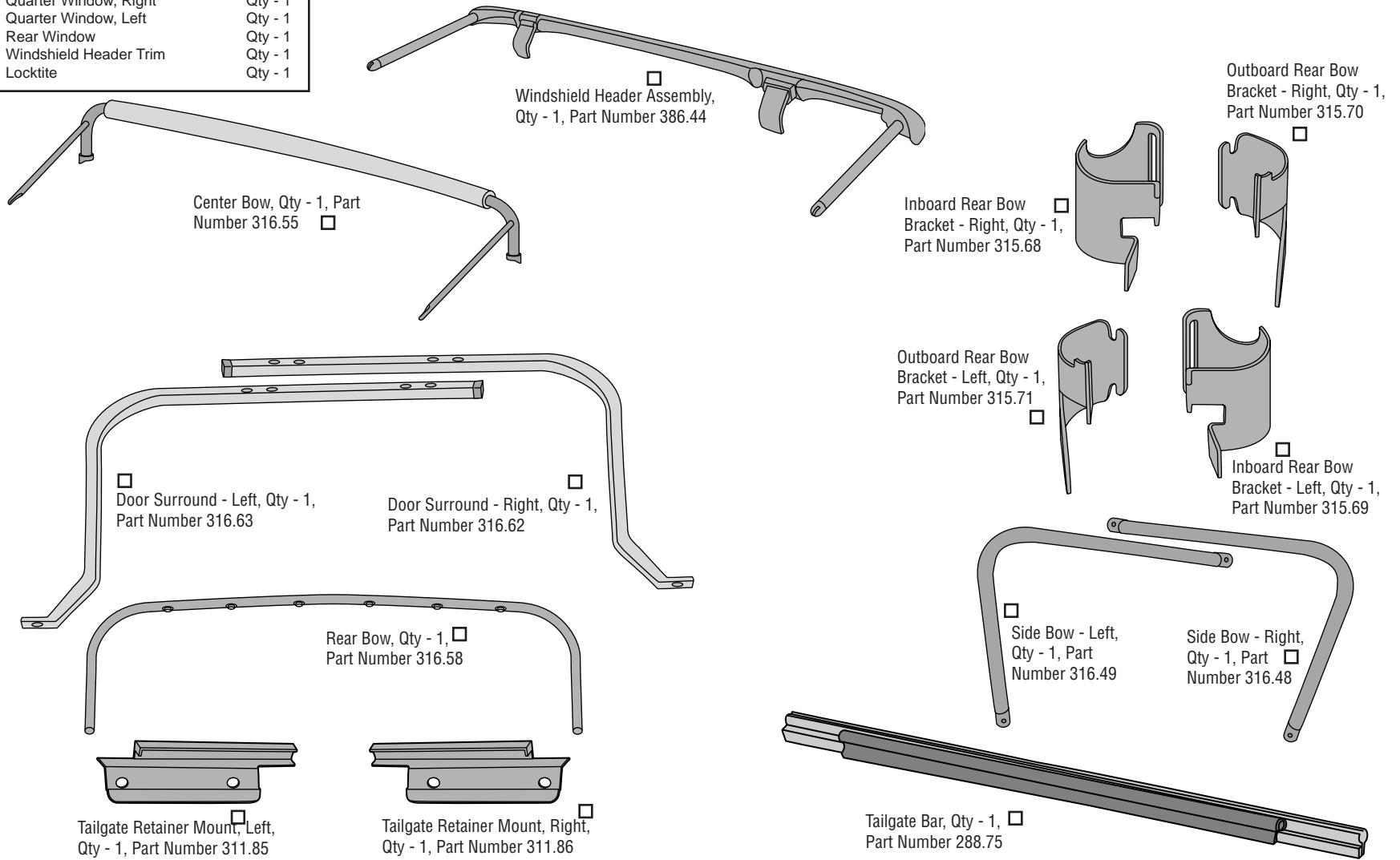
### WEAR SEAT BELTS AT ALL TIMES

Read and follow, precisely, all installation instructions provided when installing product. Failure to do so may result in a poor fit and could place occupants of the vehicle in a potentially dangerous situation.

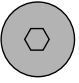
# Sunrider® – Installation Instructions

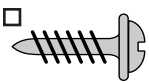
## Parts List and Hardware Identification

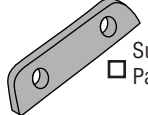
Top Fabric	Qty - 1
Quarter Window, Right	Qty - 1
Quarter Window, Left	Qty - 1
Rear Window	Qty - 1
Windshield Header Trim	Qty - 1
Locktite	Qty - 1




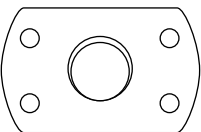
# Sunrider® – Installation Instructions

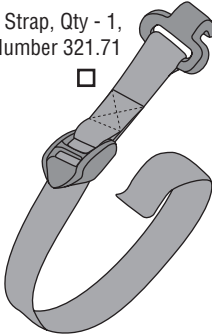
10-32 Shoulder Bolt, Qty - 6, Part Number 316.54 

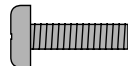
#8 x 1/2" Pan Head Washer Screw - Black, Qty - 4, Part Number 200.48 

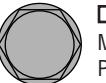
Sun Roof Links, Qty - 2, Part Number 315.59 

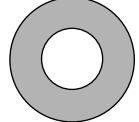
10-32 x 1.25 Screw, Qty - 2, Part Number 316.93 

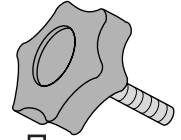
5/16-18 Tapping Plate, Qty - 2, Part Number 200.50 

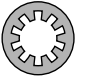
J-Clip Strap, Qty - 1, Part Number 321.71 

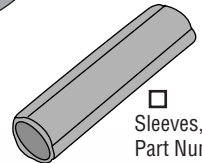
10-32 x 1/2" Screw, Qty - 2, Part Number 316.82 

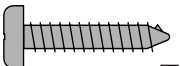
M6 Hex Screw, Qty - 4, Part Number 322.41 


5/16" Black Washer, Qty - 2, Part Number 233.04 

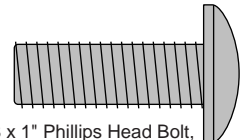
Knobs, Qty - 4, Part Number 316.85 

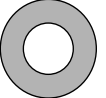
#10 Star Washer, Qty - 8, Part Number 317.58 

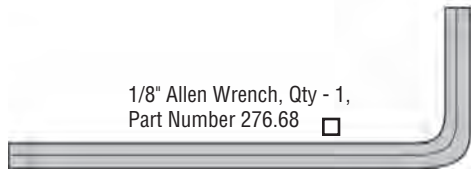
Sleeves, Qty - 2, Part Number 315.58 

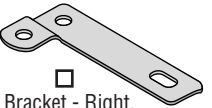
#10 Phillips Head Self Tapping Screw, Qty - 8, Part Number 319.99 

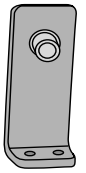
10-32 Lock Nut, Qty - 10, Part Number 316.94 


5/16-18 x 1" Phillips Head Bolt, Qty - 2, Part Number 236.20 

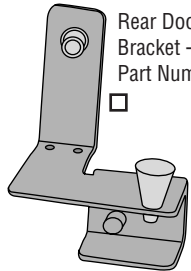
Bushing, Qty - 2, Part Number 235.91 

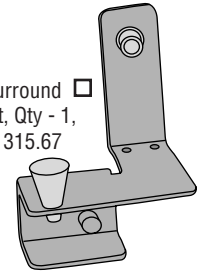
1/8" Allen Wrench, Qty - 1, Part Number 276.68 

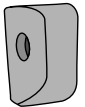
Main Pivot Bracket - Right, Qty - 1, Part Number 386.47 

Front Door Surround Brackets, Qty - 2, Part Number 315.75 

Main Pivot Bracket - Left, Qty - 1, Part Number 386.48 

Rear Door Surround Bracket - Right, Qty - 1, Part Number 315.66 

Rear Door Surround Bracket - Left, Qty - 1, Part Number 315.67 

Rear Bow Bracket Bumpers, Qty - 2, Part Number 315.74 

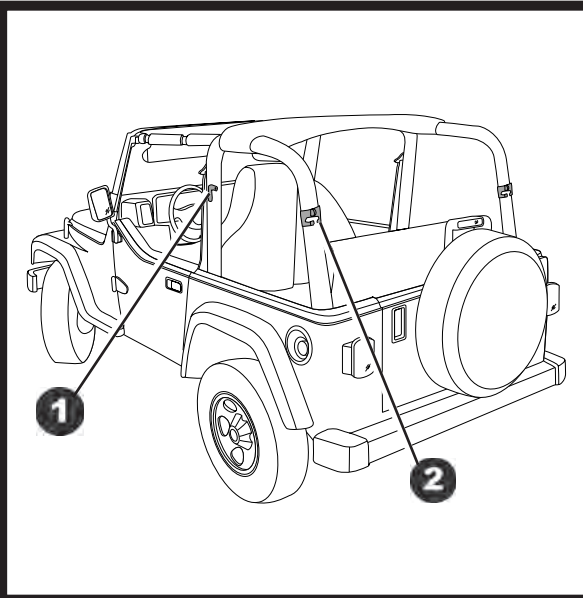
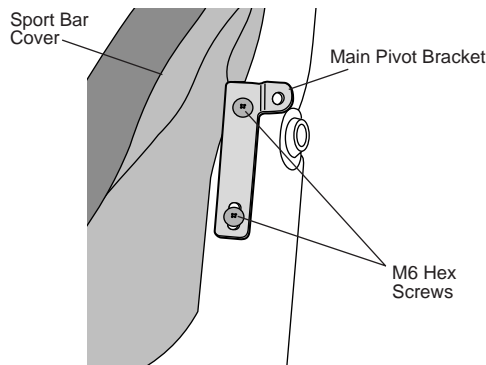
# Sunrider® – Installation Instructions

**CAUTION** When reinstalling Speaker Pods, be careful not to pinch the wires between the edge of the Speaker Pod and the Sport Bar.

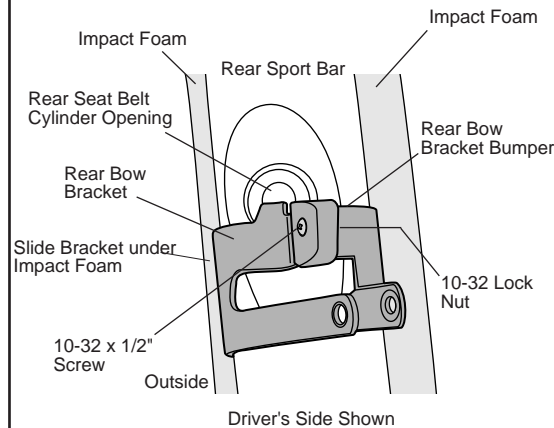
## 1 Install Main Pivot Brackets

If your vehicle has a cover over the Center Sport Bar, unzip the cover to access the bar. Locate the Main Pivot Brackets in the parts kit. Orient the brackets with the tab toward the top and the rear of the vehicle. Align the holes in the bracket with the holes in the bar and install the bracket using two M6 Hex Screws for each bracket. Stretch the cover around the bar and slip the openings in the cover over the tabs on the Main Pivot Brackets. Zip the cover closed.

**NOTE** These M6 screws have special threads which will self-tap into non-threaded holes as well as provide a tight, vibration resistant attachment in pre-threaded holes.



**NOTE** Use pliers to squeeze the top tabs, if necessary, to align the holes and improve ease of installation of the Bracket Bumpers.



## 2 Install Rear Bow Brackets

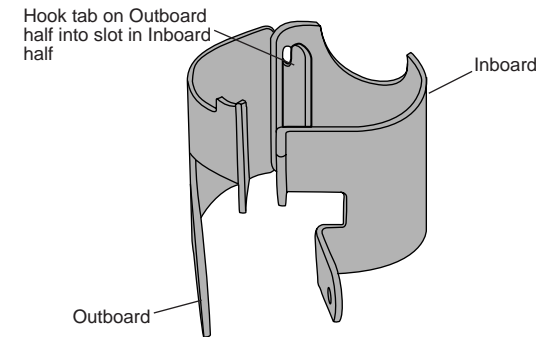
Locate the parts of the Right and Left Rear Bow Brackets in the parts kit. Each bracket has two pieces which are stamped R (right) and L (left). Match rights and lefts.

If your vehicle has a cover over the Rear Sport Bar Legs, unzip the cover to access the bar.

You will have to slip the parts of the Rear Bow Brackets between the impact foam and the rear sport bars. To do this, slip the Inboard half of the bracket under the foam and around the sport bar until the slot in the rear of the bracket is exposed on the opposite side. Hook the tab on the Outboard half into the slot and rotate the two pieces into position so that the tab on the bracket hooks into the rear opening of the seat belt cylinder.

If you have a Sport Bar Cover, wrap the cover around the bar and mark the location of the tabs on the Rear Bow Brackets. Cut openings in the cover for the tabs. Slip the new openings in the cover over the metal tabs and zip the cover closed.

Locate the Rear Bow Bracket Bumpers in the parts kit and slip them over the two top tabs in each bracket. Install a 10-32 x 1/2" Screw and a 10-32 Lock Nut through the bumpers and bracket.



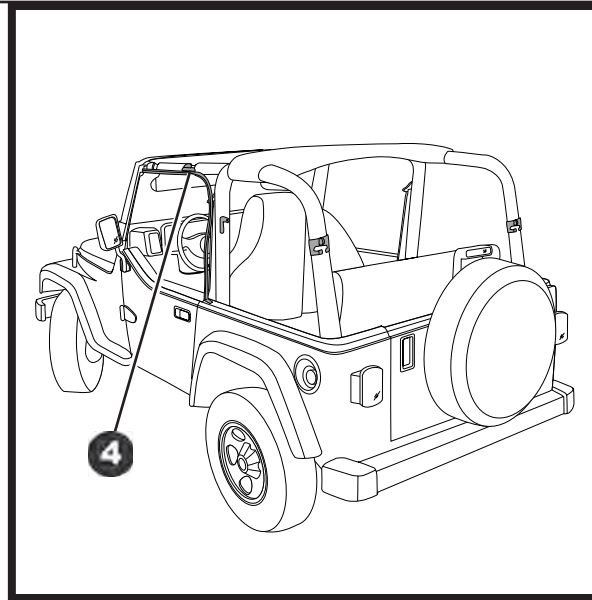
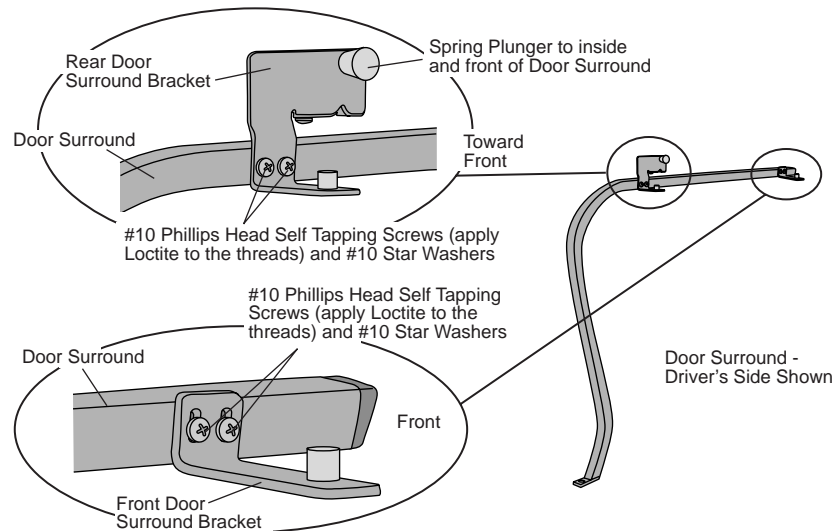
# Sunrider® – Installation Instructions

## 3 Assemble Door Surrounds and Front and Rear Door Surround Brackets

Locate the Left and Right Door Surrounds, the Front Door Surround Brackets and the Left and Right Rear Door Surround Brackets in the parts kit.

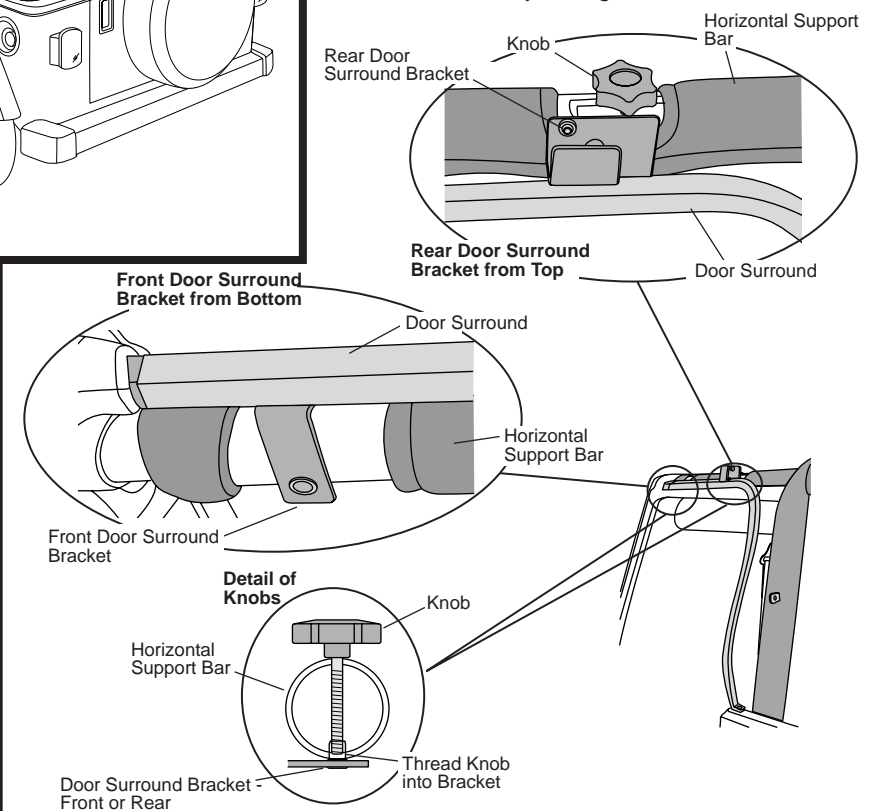
Place the holes in the Front Door Surround Brackets over the front pair of holes on each Door Surround, farthest from the bend. Orient the brackets with the long tab toward the inside and with the threaded rivet up. Install the brackets using two #10 Phillips Head Self Tapping Screws and two #10 Star Washers for each bracket.

Orient the Rear Door Surround Brackets with the Spring Plunger toward the inside and to the front of the Door Surround. Align the holes in the brackets with the second pair of holes in the Door Surrounds and install them using two #10 Phillips Head Self Tapping Screws, two #10 Star Washers and Loctite for each bracket.



## 4 Install Door Surround Assemblies

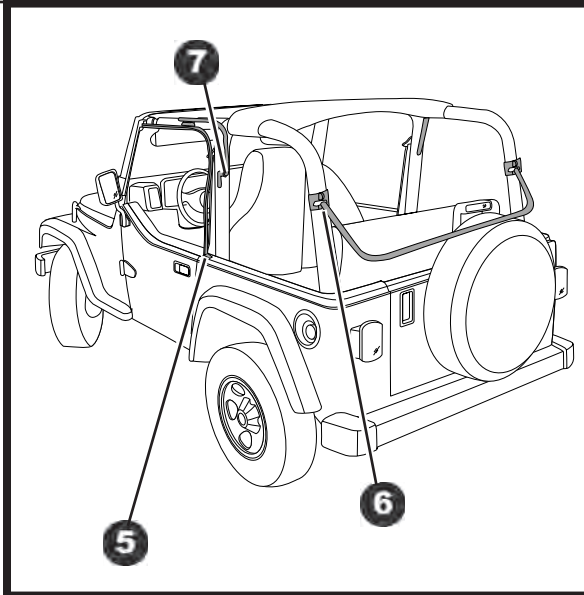
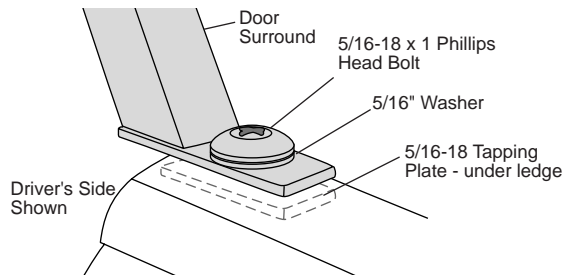
Orient the Left and Right Door Surround Assemblies on the vehicle with the brackets toward the inside. Insert the nipples in the brackets into the holes in the bottom of the Horizontal Support Bar. Thread a Knob from the parts kit through the top of the Horizontal Support Bar and into each of the Door Surround Brackets. Close the door to check the seal and adjust the Front Door Surround Bracket if necessary for a good seal.



# Sunrider® – Installation Instructions

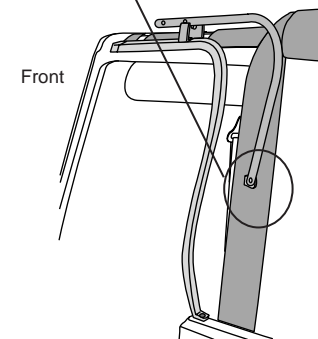
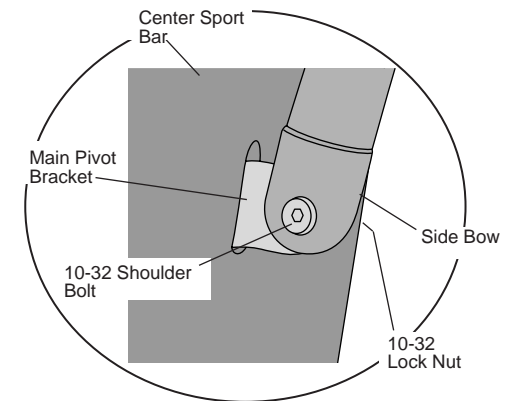
## 5 Install Door Surround Assemblies

Secure the bottom of the Door Surround to the vehicle using a 5/16-18 x 1 Phillips Head Bolt, a 5/16" Washer and a 5/16-18 Tapping Plate. Place the Tapping Plate under the ledge, aligning the hole in the plate with the hole in the vehicle and install the screw and washer from the top. Test the door seal again and adjust the bottom of the Door Surround if necessary for a good seal.



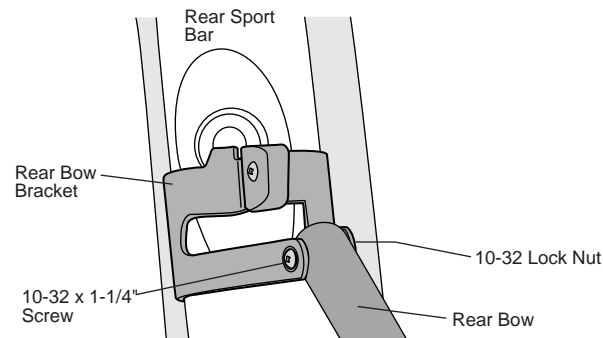
## 7 Install Side Bows

Locate the Left and Right Side Bows in the parts kit. Orient them with the longer leg toward the front and with the round recesses in the knuckles toward the outside of the vehicle. Place the slot in the rear knuckle over the tab on the Main Pivot Bracket. Install a 10-32 Shoulder Bolt into the round recess on the outside and a 10-32 Lock Nut in the hex recess on the inside for each bow.



## 6 Install Rear Bow

Locate the Rear Bow in the parts kit. Orient the bow on the vehicle with the snaps toward the inside and up. Place the ends of the bow between the tabs in the Rear Bow Brackets, aligning the holes in the bow with the holes in the brackets. Install a 10-32 x 1-1/4" Screw from the outside and a 10-32 Lock Nut on the inside.



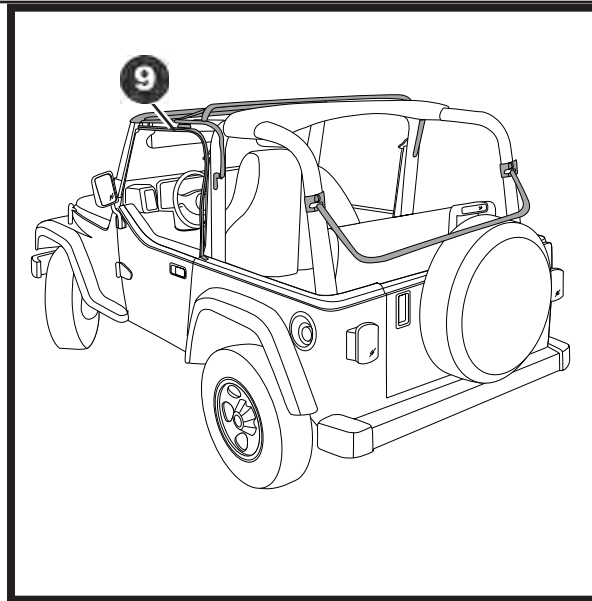
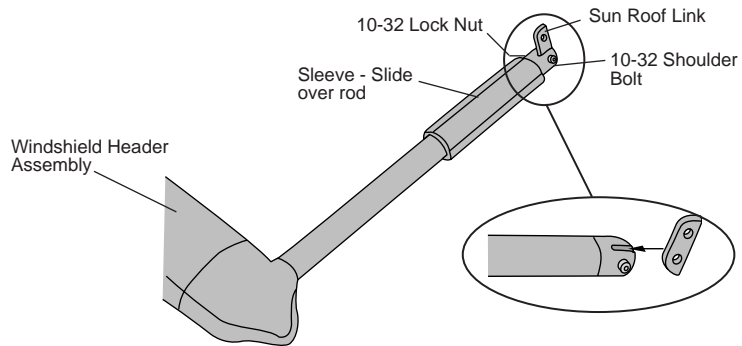
# Sunrider® – Installation Instructions

## 8 Assemble Windshield Header Linkage

Locate the Windshield Header Assembly, the Sleeves and the Sun Roof Links in the parts kit. Slide the open end of the Sleeves (align the grooves in the Sleeve with the metal clips) over each rod on the header assembly and push it up far enough to access the knuckle on the end of each rod.

Place a Sun Roof Link, with the flat side toward the rear, into the slot in the knuckle on each rod of the assembly. Install a 10-32 Shoulder Bolt into the round recess on the knuckle and a 10-32 Lock Nut in the (hex) recess.

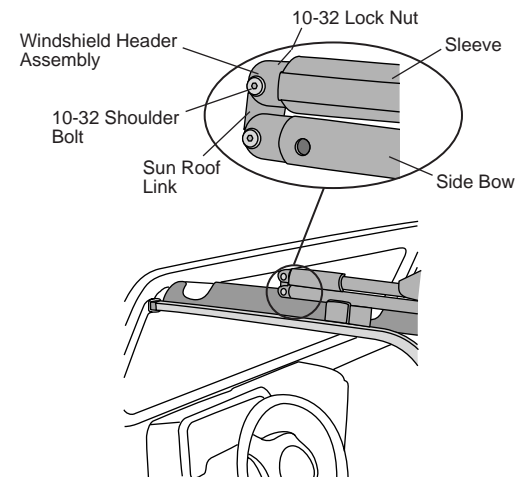
**NOTE** Make sure the Sun Roof Link is rotated 90° to the knuckles. This is the only position that will allow installation.



## 9 Install Windshield Header

Orient the Windshield Header Assembly on the vehicle and lay it along the top edge of the windshield. Rotate the header assembly 180° back about the pivot and lay the assembly down onto the side bows. Slip the Sun Roof Links, attached to the assembly in Step 8, into the slots in the knuckles on the front ends of the Side Bows. Attach the links to the Side Bows by inserting a 10-32 Shoulder Bolt into the round recess from the outside and placing a 10-32 Lock Nut into the hex recess on the inside of both Side Bows. Close the header by rotating it back about the pivot.

**NOTE** Make sure the Sun Roof Link is rotated 90° to the knuckles. This is the only position that will allow installation.



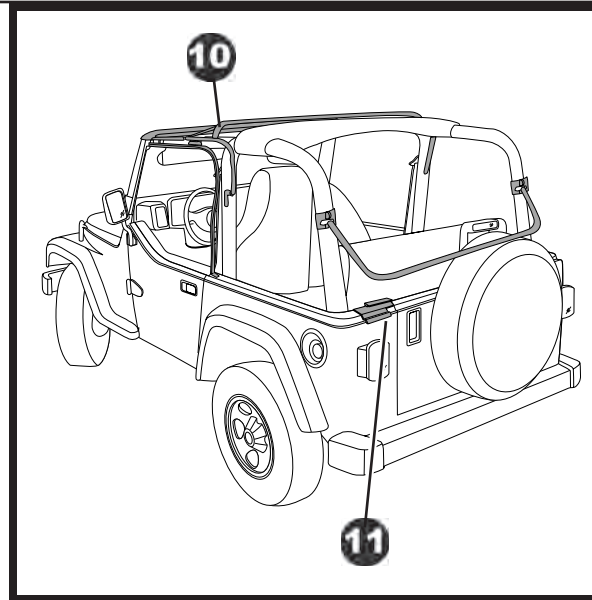
# Sunrider® – Installation Instructions

## 10 Install Center Bow

Locate the Center Bow and the Plastic Bushings in the parts kit.

Orient the bow with the rods toward the front of the vehicle and place it with the feet resting on the Side Bow.

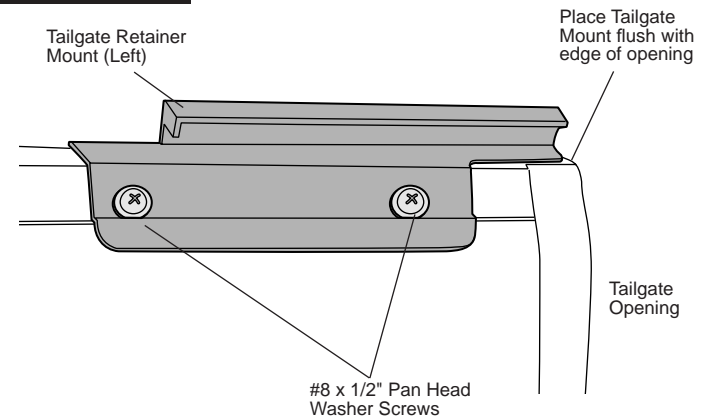
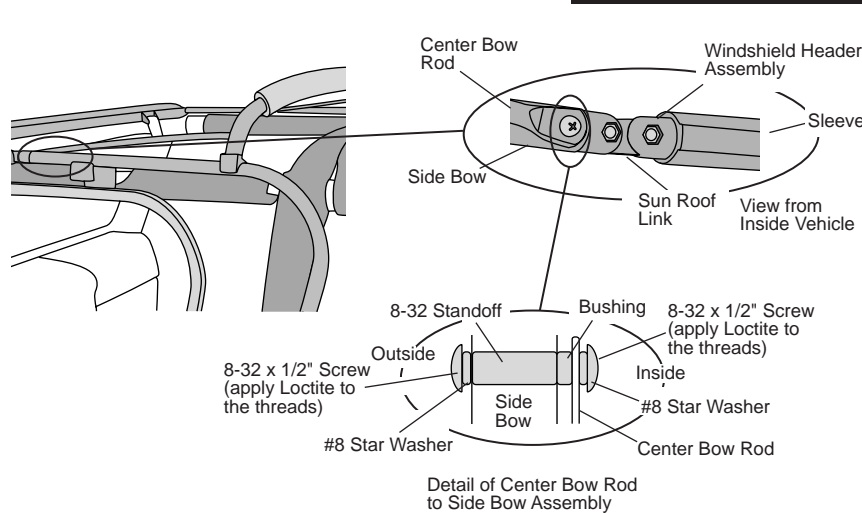
Remove the inside 8-32 x 1/2" Screw and #8 Star Washer from the Side Bow. Place a Bushing over the end of the Standoff between the Side Bow and the Center Bow Rod. Apply Loctite 271 to the threads of the 8-32 x 1/2" Screw. Reinsert the Screw and the #8 Star Washer into the Standoff. Remove the outer 8-32 x 1/2" Screw and Star Washer from the Side Bow, apply Loctite 271 to the threads and reinsert the Screw and Washer. Securely tighten the Screws. Do this on both sides of the vehicle.



## 11 Install Tailgate Retainer Mounts

Locate the left and right Tailgate Retainer Mounts. Place the mounts flush with the edge of the tailgate opening. Install the Tailgate Retainer Mounts with two #8 x 1/2" Pan Head Washer Screws for each mount.

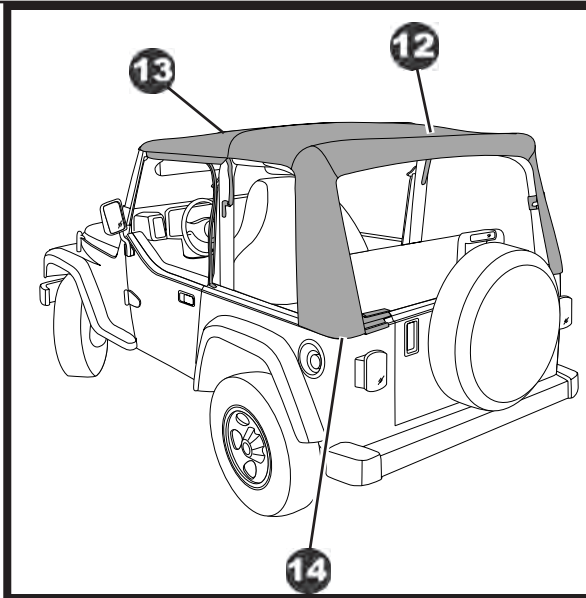
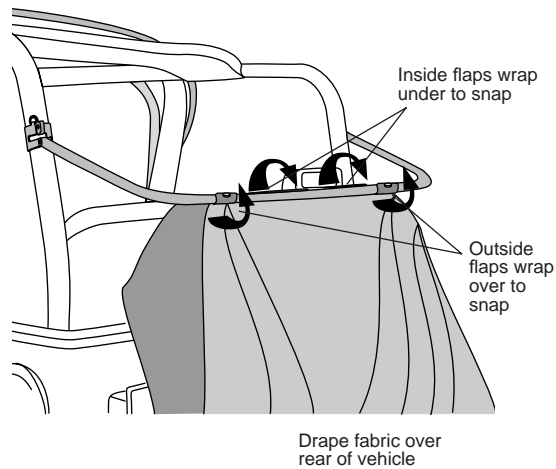
If your vehicle does not have holes at this location, align the Tailgate Retainer Mounts flush with the edge of the tailgate opening. Then mark the locations of the holes in the mounts, center punch and drill a 1/8" hole at the marked locations. Install the mounts with two #8 x 1/2" Pan Head Washer Screws for each mount.



# Sunrider® – Installation Instructions

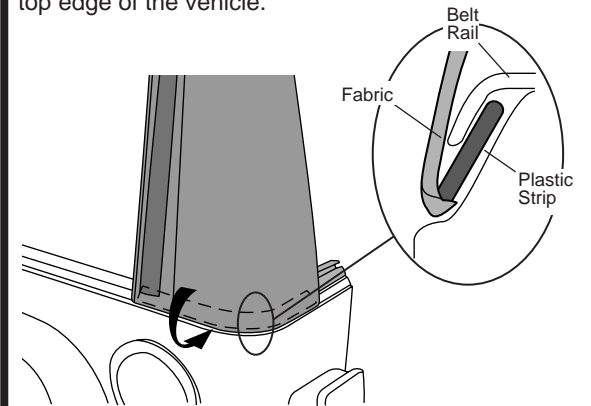
## 12 Snap Top Fabric to Rear Bow

Drape the fabric, inside out, over the tailgate, aligning the snap flaps inside the rear opening with the snaps on the Rear Bow. The center flaps wrap under to snap to the bow and the outside flaps wrap over to snap to the bow.



## 14 Secure Top Fabric to Belt Rail

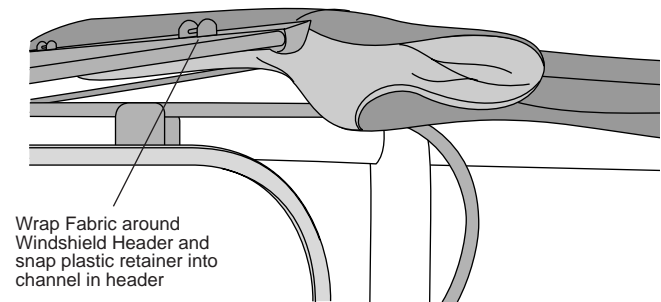
Insert the plastic strips at the rear corners of the top into the corners of the belt rails that are built into the top edge of the vehicle.



## 13 Secure Top Fabric to Windshield Header

Pull the deck up over the center bow to the Windshield Header Assembly. Open the Sun Roof and stand inside the vehicle to access the front of the assembly. Wrap the front edge of the Top Fabric around the front edge of the Windshield Header Assembly. Make sure that the fabric is centered on the header. Press the plastic retainer along the front of the top into the channel on the header until it snaps into the channel.

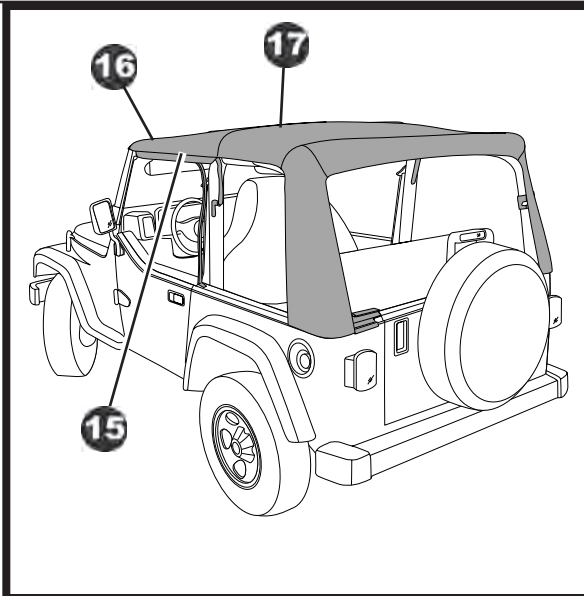
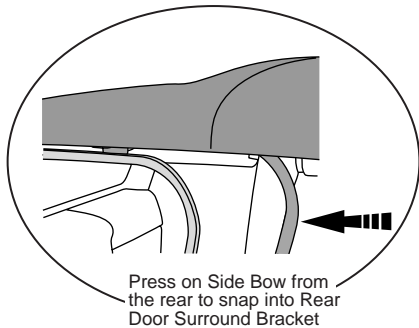
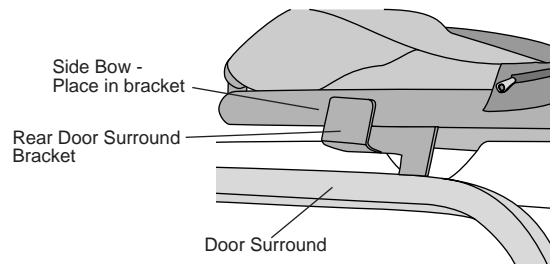
**NOTE** Make sure the plastic retainers is snapped firmly into the Header channel. The Sun Roof feature will not work properly if the retainer is not securely installed.



# Sunrider® – Installation Instructions

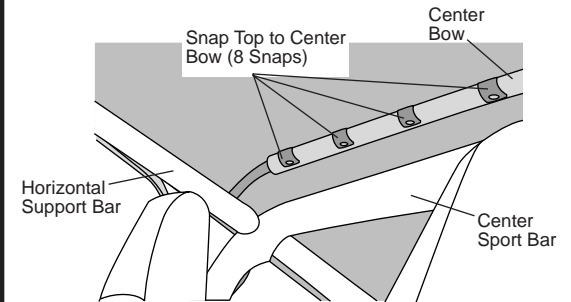
## 15 Secure Side Bows to Rear Door Surround Brackets

To secure the Side Bows to the Rear Door Surround Brackets, place each Side Bow into the bracket and push on the rear of the Side Bow, to snap it into place. The Spring Plunger on the bracket must snap into the hole in the Side Bow to fasten it securely.



## 17 Snap Top Fabric to Center Bow

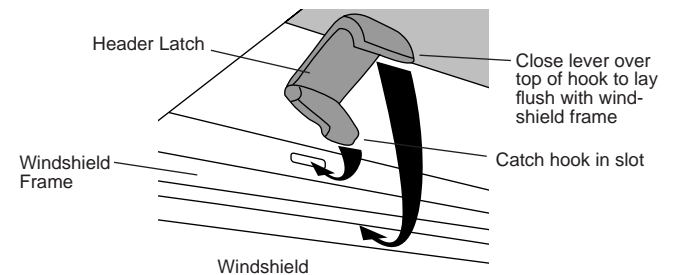
Reach inside the vehicle and snap the 8 snaps in the middle of the top to the Center Bow.



## 16 Secure Windshield Header to Windshield

Rotate the Windshield Header Assembly to the windshield and close the header latches to secure the front of the top to the windshield. Catch the hook in the slot in the windshield frame and then close the lever over it so that it lays flat against the windshield frame. If necessary, push the header forward to make it easier to operate the latches.

**NOTE** When first installing the top, the initial force requirements to operate the sun-roof and latches will be high. It is normal for the fabric to stretch a small amount after installation which will result in easier operation of these components.



# Sunrider® – Installation Instructions

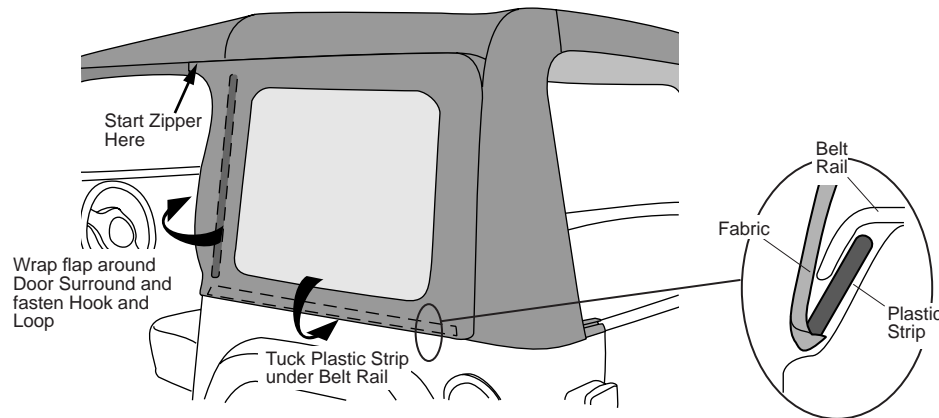
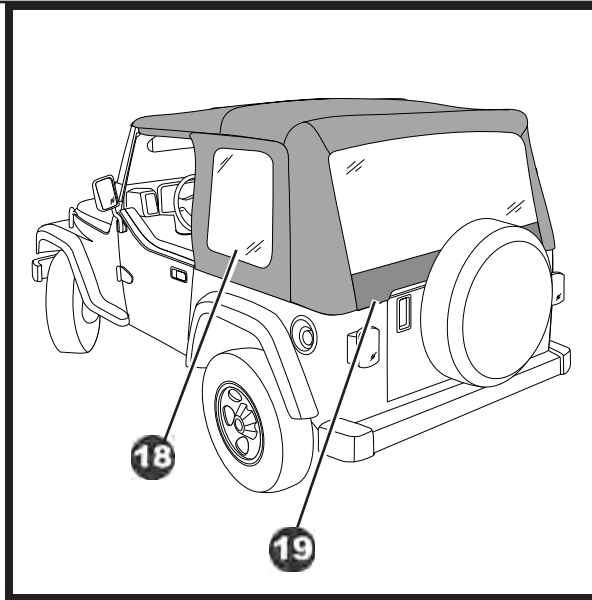
## 18 Install Quarter Windows

Find the Left and Right Quarter Windows and orient them with the zipper toward the inside. Start the zipper at the front corner and close it half way.

Slip the plastic strip on the bottom of the Quarter Window into the belt rail built into the vehicle.

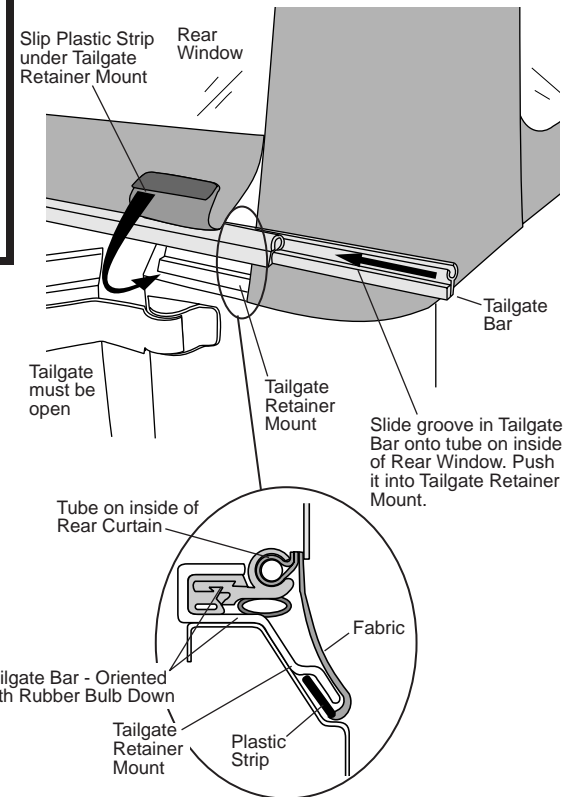
Wrap fabric flap on the front of the Quarter Window around the Door Surround and fasten the hook and loop strips to each other. Close the zipper to the bottom rear corner.

Tuck the top of the Quarter Window smoothly under the top.



## 19 Install Rear Window

Open the tailgate. Orient the Tailgate Bar with the rubber bulb facing down, in order to form a seal with the top of the tailgate. Slide the groove in the Tailgate Bar onto the tube inside the bottom of the Rear Window. Roll the Tailgate Bar into the top of the Tailgate Retainer Mounts. Slip the plastic on the bottom of the Rear Window under the bottom part of the Tailgate Retainer Mounts. Close the rear curtain zippers.



## Sunrider® – Installation Instructions



### **WARNING**

When operating the vehicle without the Quarter Windows, the Rear Window should be removed for proper ventilation.

## **20** Adjusting the Top

### Quarter Windows

To remove the Quarter Windows, unzip the zipper. Release the plastic strip from the retainer. Release the Hook and Loop Fasteners from around the Door Surround.

### Rear Window

To remove the Rear Window, release the zipper around the curtain. Remove the Tailgate Bar from the Tailgate Retainer Mounts and slide the Tailgate Bar off of the bottom of the Rear Window.

### Folding the Top Down

Remove the Quarter Windows. Set the Sleeves on the Windshield Header Assembly over the Sun Roof Links to keep the deck rigid. Release the Spring Pins on the Rear Door Surround Bracket to release the Side Bows. Release the Windshield Latches. Open the tailgate and pull gently on the Rear Bow to fold the top back down on the rear of the vehicle.

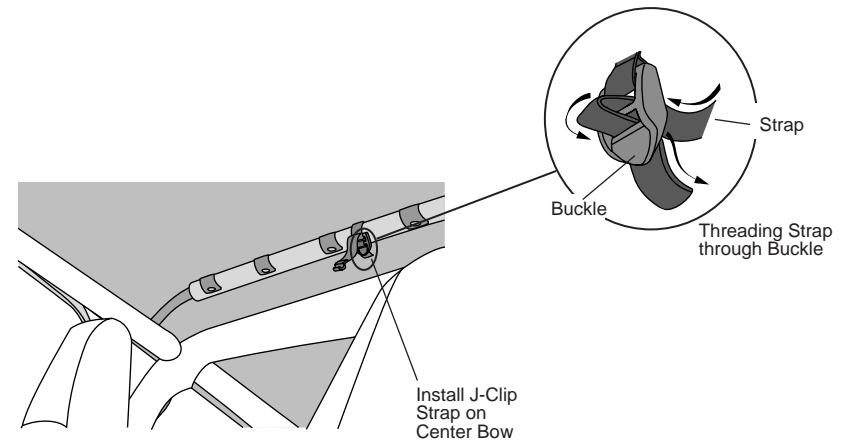


### **WARNING**

Never Attempt to Open the Sun Roof While Driving

## **21** Operating the Sun Roof

The J-Clip Strap in the parts kit is to secure the fabric when the Sun roof is open. To install the strap, orient it with the plastic J-Clip toward the front of the vehicle and with the clip opening up. Wrap the long end of the strap over the top and around the Center Bow and thread the end through the buckle sewn to the strap.



# Sunrider® – Installation Instructions

**! WARNING** Never Attempt to Open the Sun Roof While Driving

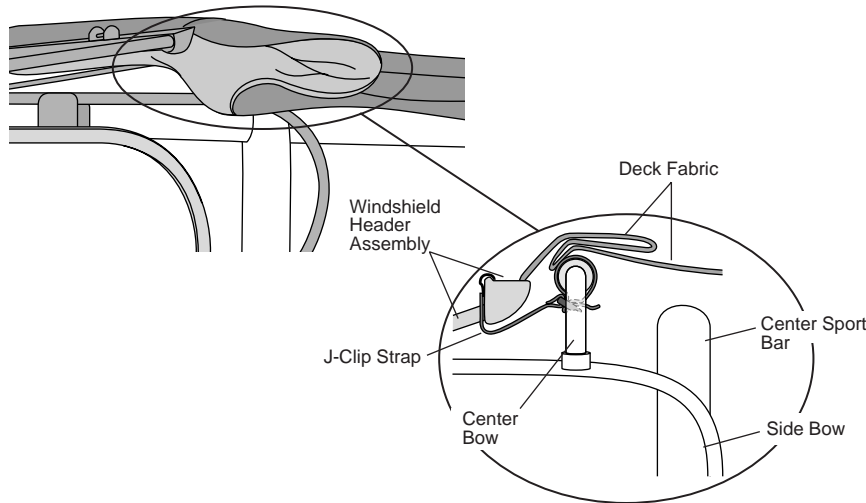
## 22 Operating the Sun Roof

### Option A

To open the Sun Roof, slide the Sleeves on the Windshield Header Assembly forward to release the Sun Roof Links. Release the Windshield Latches.

As you fold the Windshield Header Assembly back on top of the deck, pull the loose fabric up and back at the midpoint between the header and Center Bow, allowing the fabric to fold, accordion style on top of the deck.

Hook the plastic clip on the J-Clip Strap to the rear edge of the Windshield Header Assembly to secure the Sun Roof.

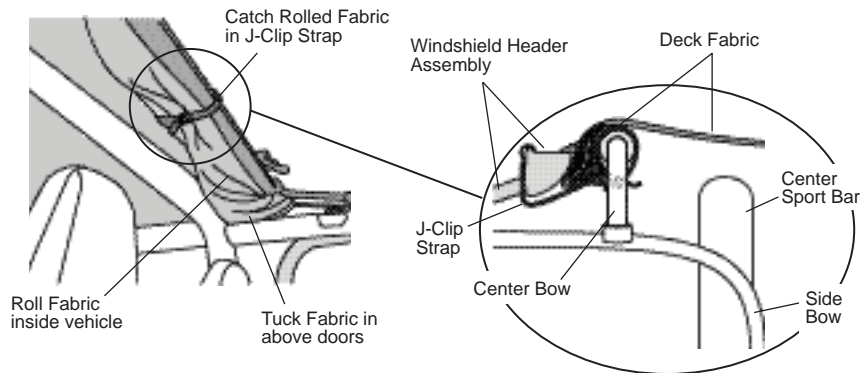


### Option B

To open the Sun Roof, slide the Sleeves on the Windshield Header Assembly forward to release the Sun Roof Links. Release the Windshield Latches.

As you fold the Windshield Header Assembly back on top of the deck, pull the loose fabric in the center down into the vehicle in front of the Center Bow and roll the fabric inside the vehicle. Tuck the loose fabric on the ends, above the doors between the Center Bow and the Center Sport Bar.

Hook the plastic clip on the J-Clip Strap to the rear edge of the Windshield Header Assembly to secure the Sun Roof and the rolled fabric inside the vehicle.



## 23 Operating the Sun Roof

To close the Sun Roof, undo the Strap, close the Windshield Header Assembly to the windshield. Secure the Windshield Latches. Set the Sleeves on the

Windshield Header Assembly over the Sun Roof Links to keep the deck rigid. Make sure to reset the rain flaps inside the doors.

# Sunrider® – Installation Instructions

## Care and Maintenance of your Bestop Product

Your Bestop product is made of the finest materials available. To keep it looking new and for the maximum possible wear, it will need periodic cleaning and maintenance.

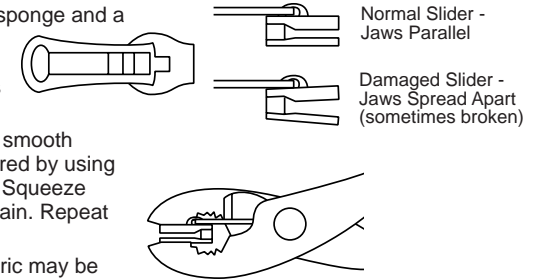
**Washing:** The fabric should be washed often using soap, warm water and a soft bristle brush. Rinse with clear water to remove all traces of soap or use Bestop-recommended Bestop Cleaner and Bestop Protectant. Bestop Cleaner and Bestop Protectant are specially formulated to provide a total cleaning and protection system. Bestop Cleaner will not harm vehicle finish, is biodegradable and environmentally friendly. Bestop Protectant protects against UV-fading, cracking and hardening.

**Windows:** Keep windows clean to avoid scratching. DO NOT use a brush on the windows! Wash with a water-soaked cloth or sponge and a mild dishwashing detergent or use Bestop-recommended Bestop Vinyl Window Cleaner, which safely cleans and protects vinyl windows while helping prevent UV damage. NEVER WIPE THE WINDOWS WHEN THEY ARE DRY. Be careful when cleaning snow or frost from the vinyl windows since they are easily scratched and may crack at low temperatures. DO NOT roll the sides or rear window in cold weather. The windows become stiff and will crack.

**Zippers:** Keeping the zipper cleaned and lubricated with a silicone lubricant will help prevent damage and keep the zippers in a smooth working condition. If a zipper opens behind the slider, the slider may have been spread apart. This problem can usually be repaired by using an ordinary pair of pliers to bring the sides back into parallel. Return slider to the end of the zipper in the normal Open position. Squeeze lightly at first and test the zipper. If the zipper continues to remain open squeeze more firmly with the pliers and try the zipper again. Repeat this procedure until the zipper operates correctly.

**Water:** Seeping through at the seams may be stopped by applying 3-M Scotchgard® on the inside of the seams. Rips in the fabric may be repaired with Bondex® iron on patches. Iron the patches to the Inside of the top, carefully following the Bondex® instructions.

**Snaps:** Keep snaps cleaned and lubricated with silicone to help prevent snaps from sticking to the studs. If a snap does become stuck to a stud, use a screwdriver and GENTLY pry apart to prevent permanent damage to the snap or the top fabric.



## LIMITED WARRANTY

We warrant our product to be free from defects in material and workmanship, for the terms specified below, provided there has been normal use and proper maintenance. This warranty applies to the original purchaser only. All remedies under this warranty are limited to the repair or replacement of any item or items found by the factory to be defective within the time period specified. If you have a warranty claim, first you must call our factory at the number below for instructions. You must retain proof of purchase and submit a copy with any items returned for warranty work. Upon completion of warranty work, if any, we will return the repaired or replaced item or items to you freight prepaid. Damage to our products caused by accidents, fire, vandalism, negligence, misinstallation, misuse, Acts of God, or by defective parts not manufactured by us, is not covered under this warranty.


THE WARRANTY TIME PERIOD IS AS FOLLOWS FOR REPLACE-A-TOP™, SAILCLOTH REPLACE-A-TOP™, SUPERTOP®, SUPERTOP® REPLACEMENT SKINS, SUNRIDER®, AND TIGERTOP®: TWO YEARS FROM DATE OF PURCHASE.

THE WARRANTY TIME PERIOD IS AS FOLLOWS FOR ALL OTHER "SOFT GOODS" MANUFACTURED BY OUR COMPANY (USING PRIMARILY VINYL, PLASTICS, AND/OR FOAM): ONE YEAR FROM DATE OF PURCHASE.

THE WARRANTY TIME PERIOD IS AS FOLLOWS FOR ALL OTHER "HARD GOODS" MANUFACTURED BY OUR COMPANY (USING PRIMARILY METALS, PLASTICS, AND/OR FIBERGLASS): ONE YEAR FROM DATE OF PURCHASE.

ANY IMPLIED WARRANTIES OF MERCHANTABILITY AND/OR FITNESS FOR A PARTICULAR PURPOSE CREATED HEREBY ARE LIMITED IN DURATION TO THE SAME DURATION AND SCOPE AS THE EXPRESS WRITTEN WARRANTY. OUR COMPANY SHALL NOT BE LIABLE FOR ANY INCIDENTAL OR CONSEQUENTIAL DAMAGE.

Some states do not allow limitations on how long an implied warranty lasts, or the exclusion or limitation of incidental or consequential damages, so the above limitations or exclusions may not apply to you. This warranty gives you specific legal rights, and you may also have other rights which vary from state to state.

  
For further information or request for warranty work, please contact:  
Bestop Inc., Customer Service  
Toll-Free: (800)845-3567  
Main: (303)465-1755  
E-mail: [csbestop@Bestop.com](mailto:csbestop@Bestop.com)  
Website: [www.Bestop.com](http://www.Bestop.com)